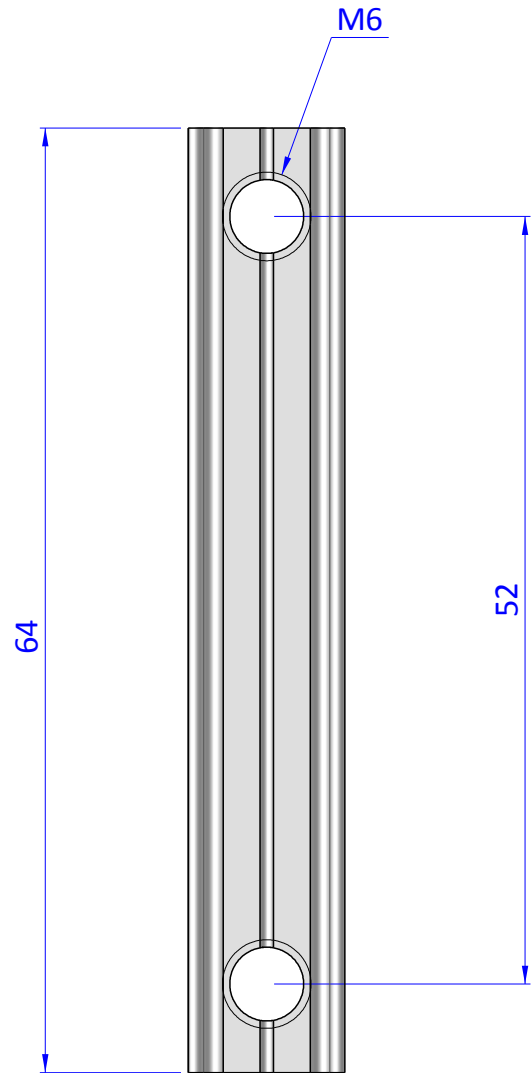
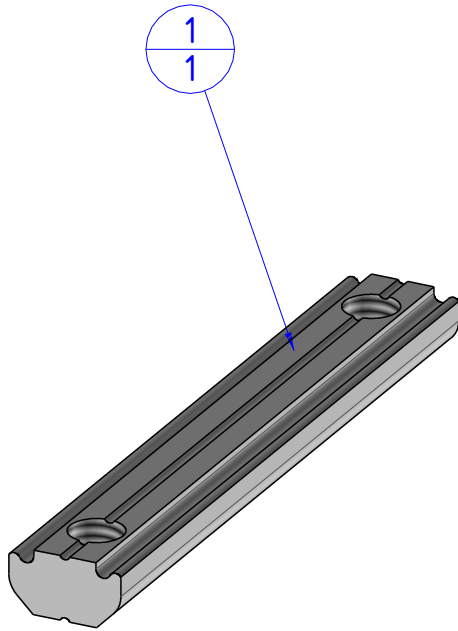
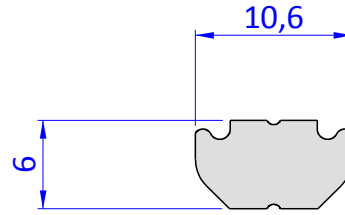
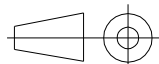


THE PROPERTY OF THE DRAWING IS ESTABLISHED BY LAW. IT IS FORBIDDEN TO PRODUCE OR SHOW IT TO THIRD PART. WITHOUT A WRITTEN AGREEMENT.

Item	Name	Q.ty
1	GWP.6.52	1



FP SERVICES
AUTOMATION



DESIGNED FROM		REVIEW
FPSERVICES		A
DATE	WEIGHT	
15/10/2018	0,025kg	
CODE		
CA.GWP.6.52		

Format A4

UNI 936-76

GENERAL TOLERANCE

UNI - ISO 2768

CLASSE f

DESCRIPTION

CA.GWP.6.52